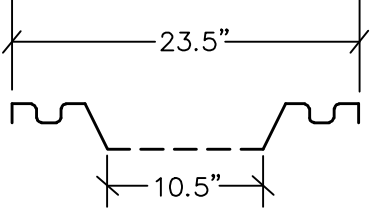
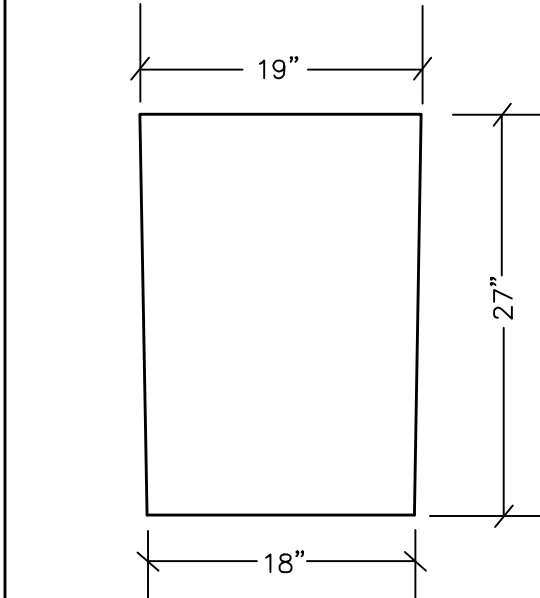
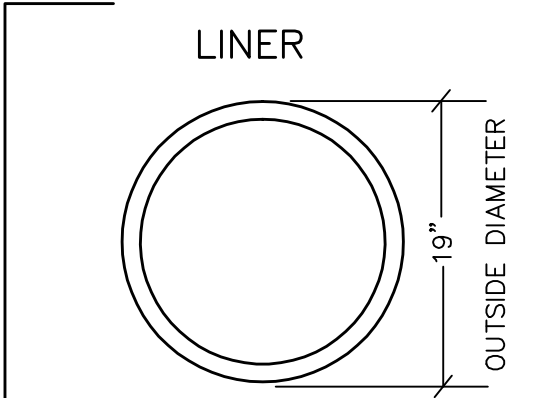
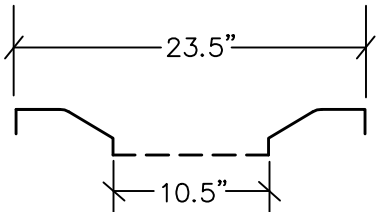
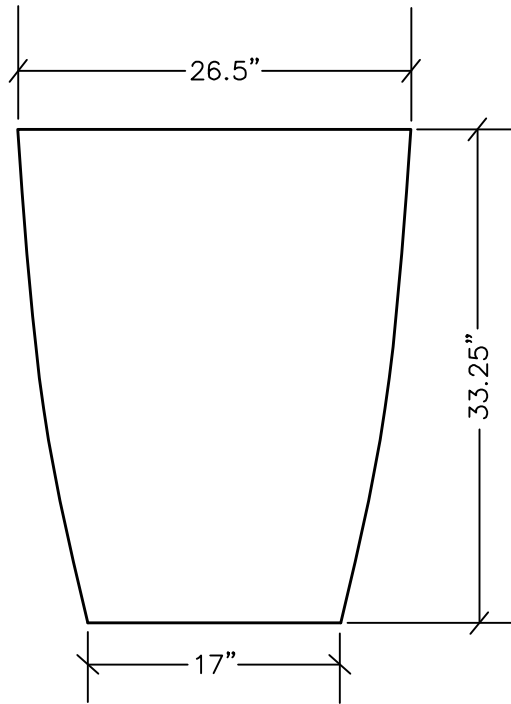
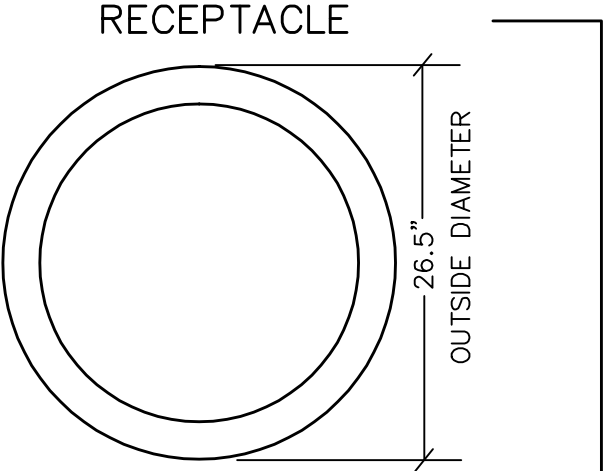


RALEIGH RECEPTACLE  
MODEL NUMBER 7R-2634T



RECEPTACLE

LINER